



## ILLUSTRATED PARTS BOOK

196cc Rear Tine Tiller

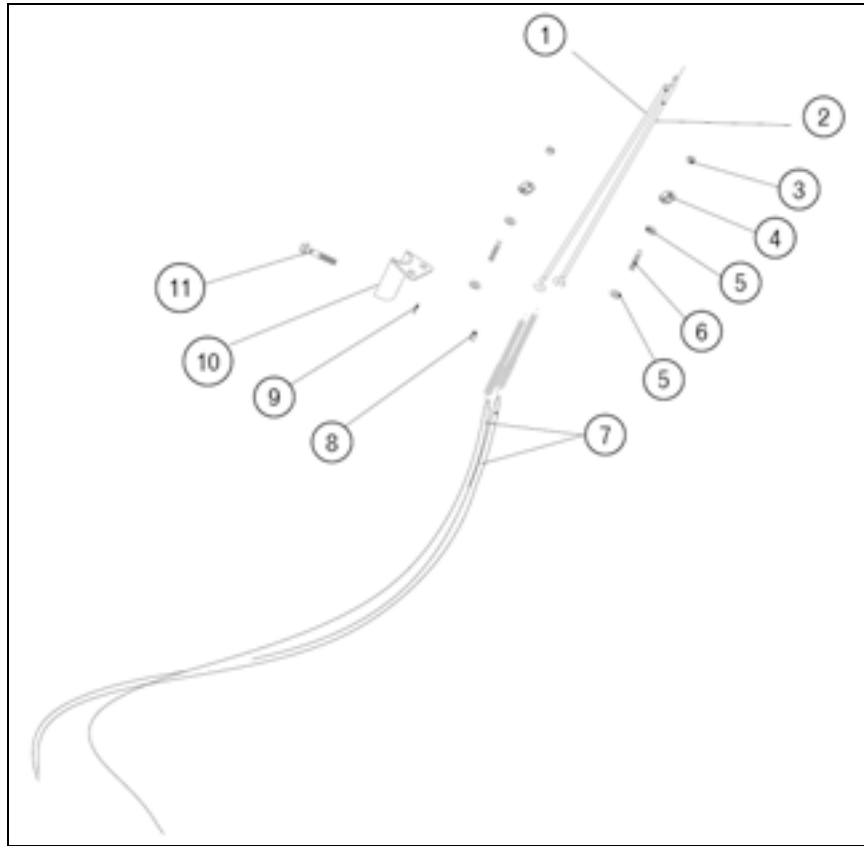
MODEL#: P-RTT-196MD-[E], P-RTT-196MD



## Table of Contents

Kit, Forward / Reverse Cable Assembly .....	3
Kit, Tine Shield Assembly.....	4
Kit, Drag Bar Assembly.....	5
Kit, Tine Bolt Assembly.....	6
Kit, Tine Assembly.....	7
Kit, Wheel Assembly.....	8
Kit, Lock Pin Assembly .....	9
Kit, Grip Assembly .....	10
Kit, Handle Bar Hardware Assembly .....	11
Kit, Mounting Hardware Assembly, Tine Shield .....	12
Tiller Exploded View .....	13-14
Parts List .....	15-18

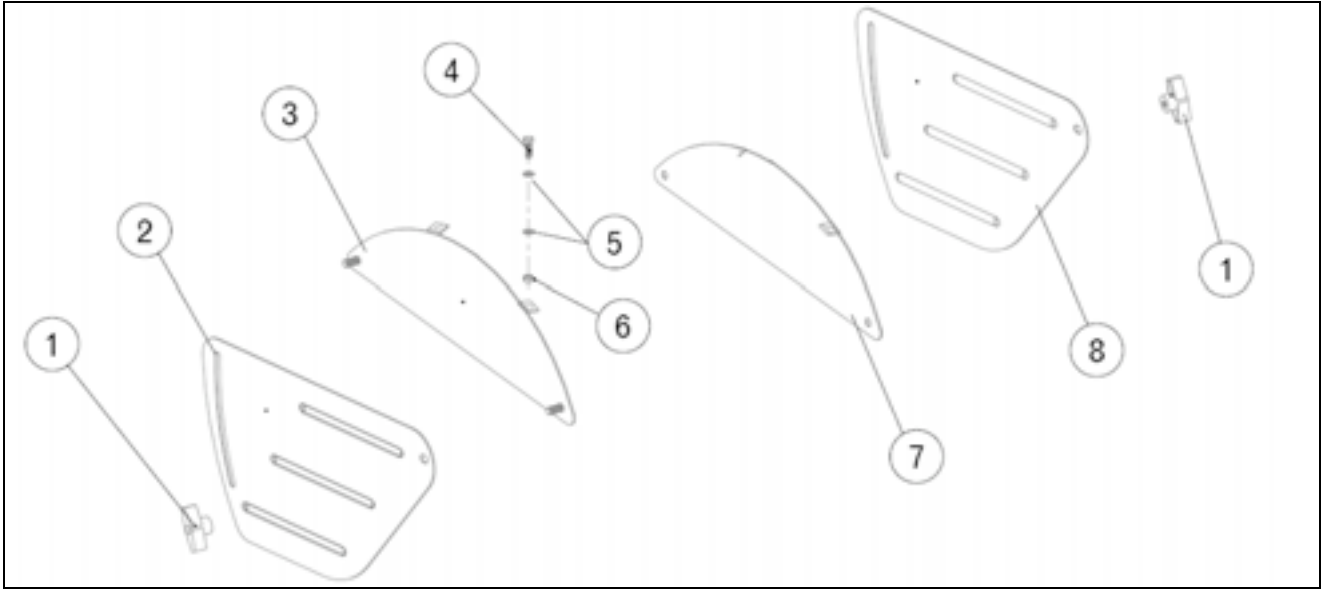
## Kit, Forward/Reverse Cable Assembly



REF. NO.	DESCRIPTION	PART NO.	QTY
	Kit, Forward/Reverse Cable Assembly	A200813	1
1	Clutch Rod, Reverse	A200498*	1
2	Clutch Rod, Forward	A200499*	1
3	Locknut, M5	A200500*	2
4	Bracket, Clutch Rod	A200501*	2
5	Flat Washer, M5	A200502*	4
6	Spring, Clutch Rod	A200503*	2
7	Clutch Cable	A200504*	2
8	Locknut, M6	A200497*	1
9	Flat Washer, M6	A200496*	1
10	Handle Mounting Bracket, Clutch Cable	A200495*	1
11	Hex Flange Bolt, M6x45	A200488*	1

\* Part is available through higher level assembly (Kit); not stocked individually.

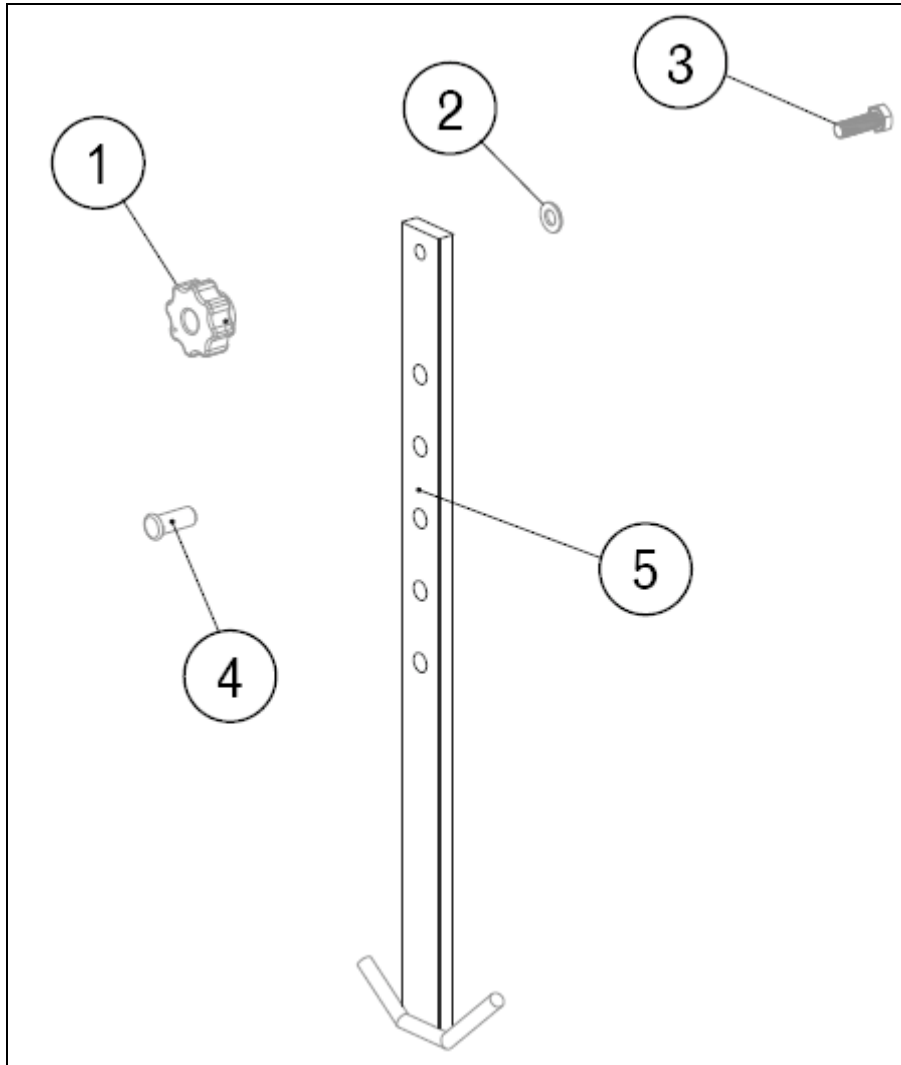
# Kit, Tine Shield Assembly



REF. NO.	DESCRIPTION	PART NO.	QTY
	Kit, Tine Shield Assembly	A200814	1
1	Knob, Tine Shield	A200548*	2
2	Rotational Tine Shield, Right	A200566*	1
3	Stationary Tine Shield, Right	A200567*	1
4	Bolt, M6X20	A200568*	4
5	Flat Washer, M6	A200496*	8
6	Locknut, M6	A200497*	4
7	Rotational Tine Shield, Right	A200571*	1
8	Rotational Tine Shield, Left	A200570*	1

\* Part is available through higher level assembly (Kit); not stocked individually.

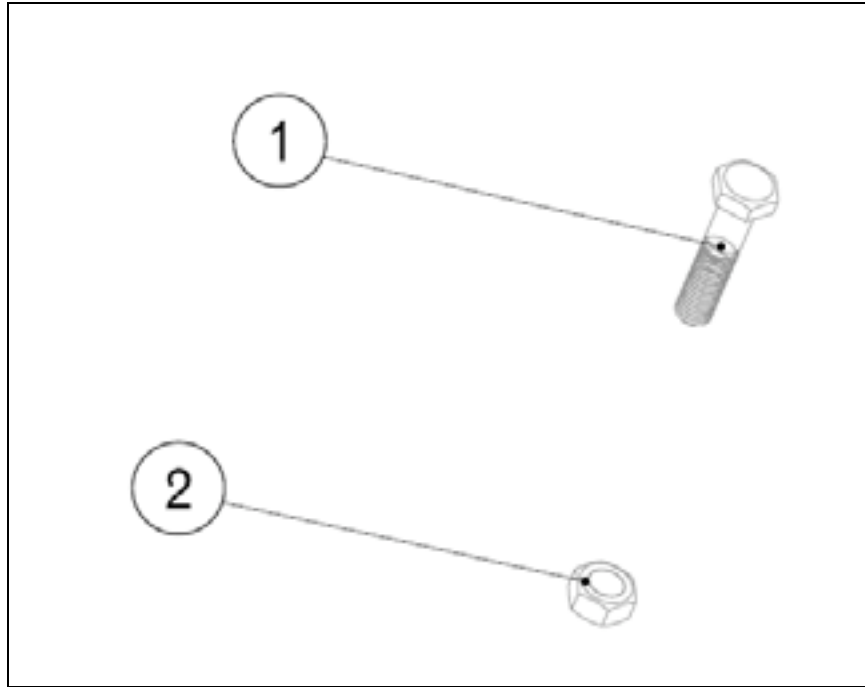
## Kit, Drag Bar Assembly



REF. NO.	DESCRIPTION	PART NO.	QTY
	Kit, Drag Bar Assembly	A200815	1
1	Handle Knob, Drag Bar	A200575*	1
2	Flat washer, M8	A200506*	1
3	Hex Bolt, M8X25	A200573*	1
4	Pin, Drag Bar	A200577*	1
5	Drag Bar	A200576*	1

\* Part is available through higher level assembly (Kit); not stocked individually.

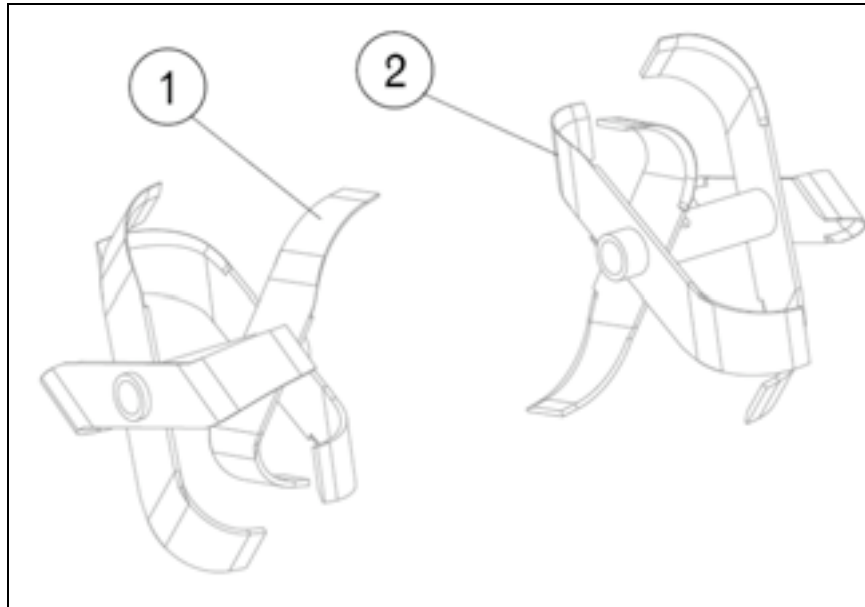
## Kit, Tine Bolt Assembly



REF. NO.	DESCRIPTION	PART NO.	QTY
	Kit, Tine Bolt Assembly	A200816	1
1	Bolt, M10X45	A200578*	1
2	Locknut, M10	A200562*	1

\* Part is available through higher level assembly (Kit); not stocked individually.

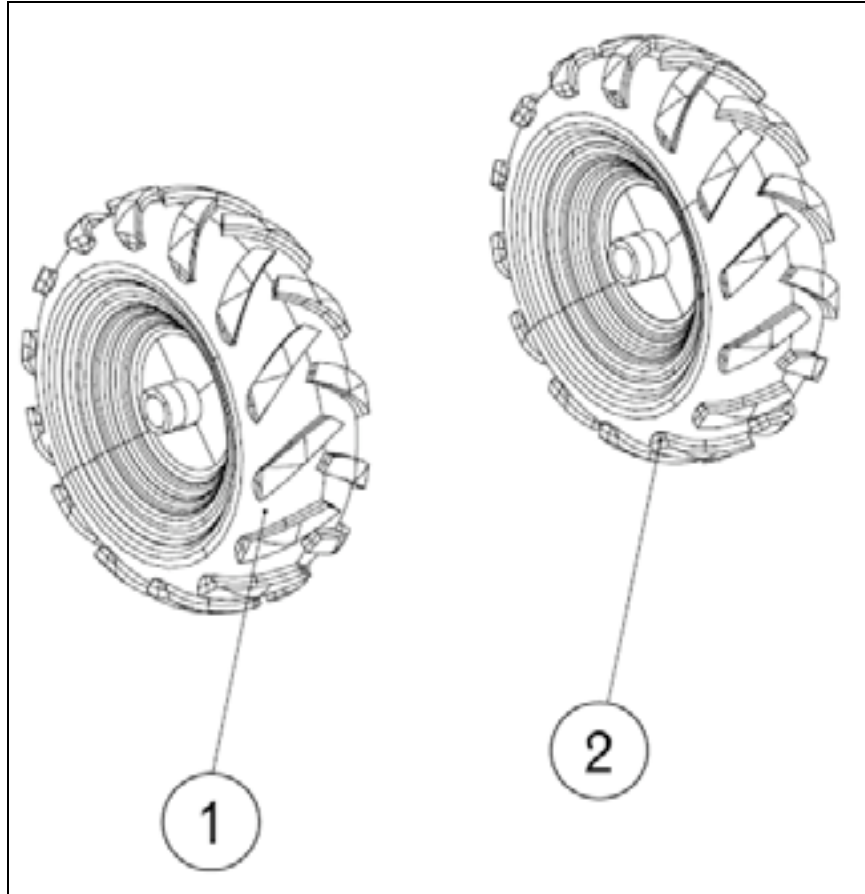
## Kit, Tine Assembly



REF. NO.	DESCRIPTION	PART NO.	QTY
	Kit, Tine Assembly	A200817	1
1	Tines, Left	A200579*	1
2	Tines, Right	A200580*	1

\* Part is available through higher level assembly (Kit); not stocked individually.

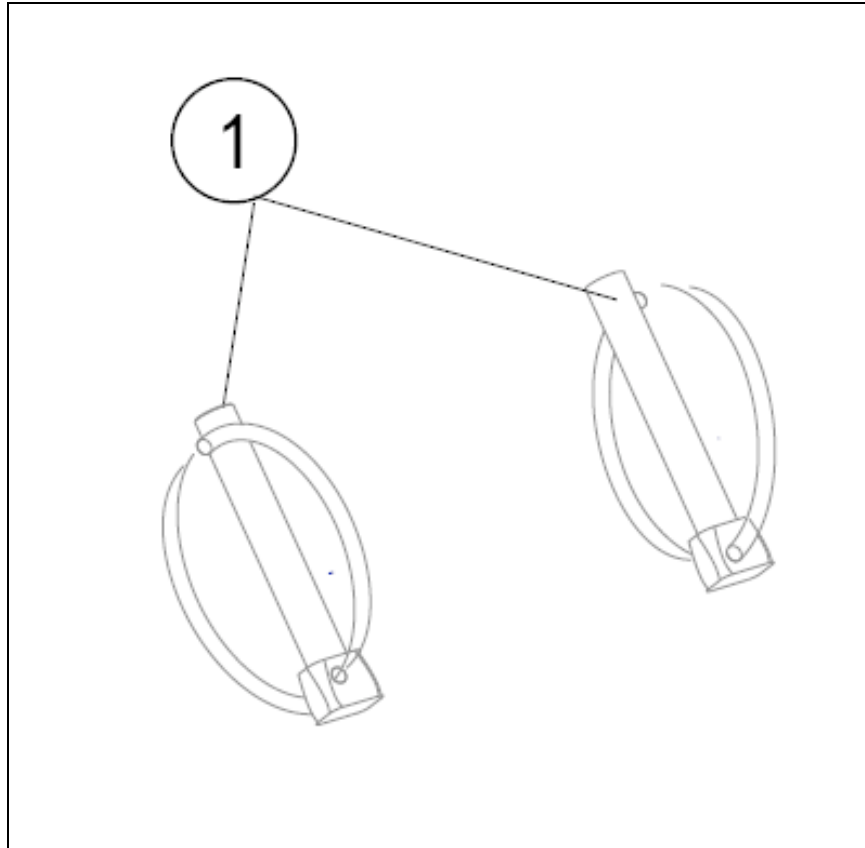
## Kit, Wheel Assembly



REF. NO.	DESCRIPTION	PART NO.	QTY
	Kit, Wheel Assembly	A200818	1
1	Left Wheel Only	A200597*	1
2	Right Wheel Only	A200809*	1

\* Part is available through higher level assembly (Kit); not stocked individually.

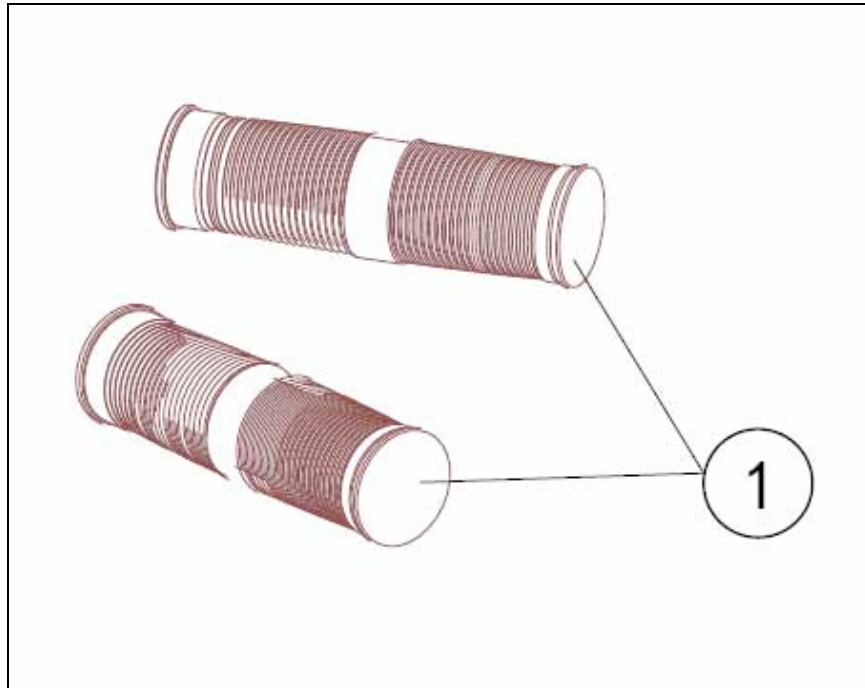
## Kit, Lock Pin Assembly



REF. NO.	DESCRIPTION	PART NO.	QTY
	Kit, Lock Pin Assembly	A200932	1
1	Lock Pin	A200596*	2

\* Part is available through higher level assembly (Kit); not stocked individually.

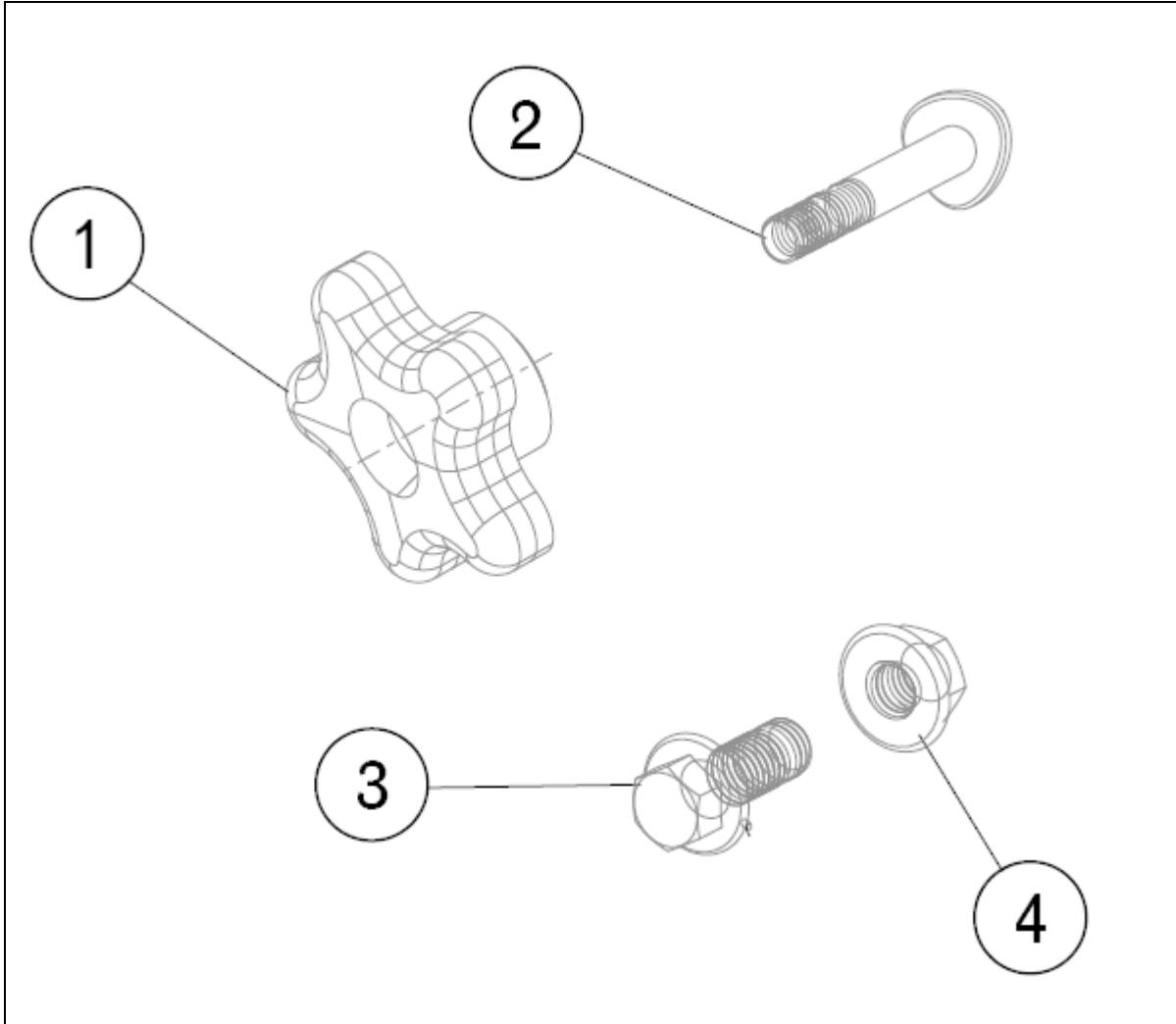
## Kit, Grip Assembly



REF. NO.	DESCRIPTION	PART NO.	QTY
	Kit, Grip Assembly	A200933	1
1	Handle Grip	A200493*	2

\* Part is available through higher level assembly (Kit); not stocked individually.

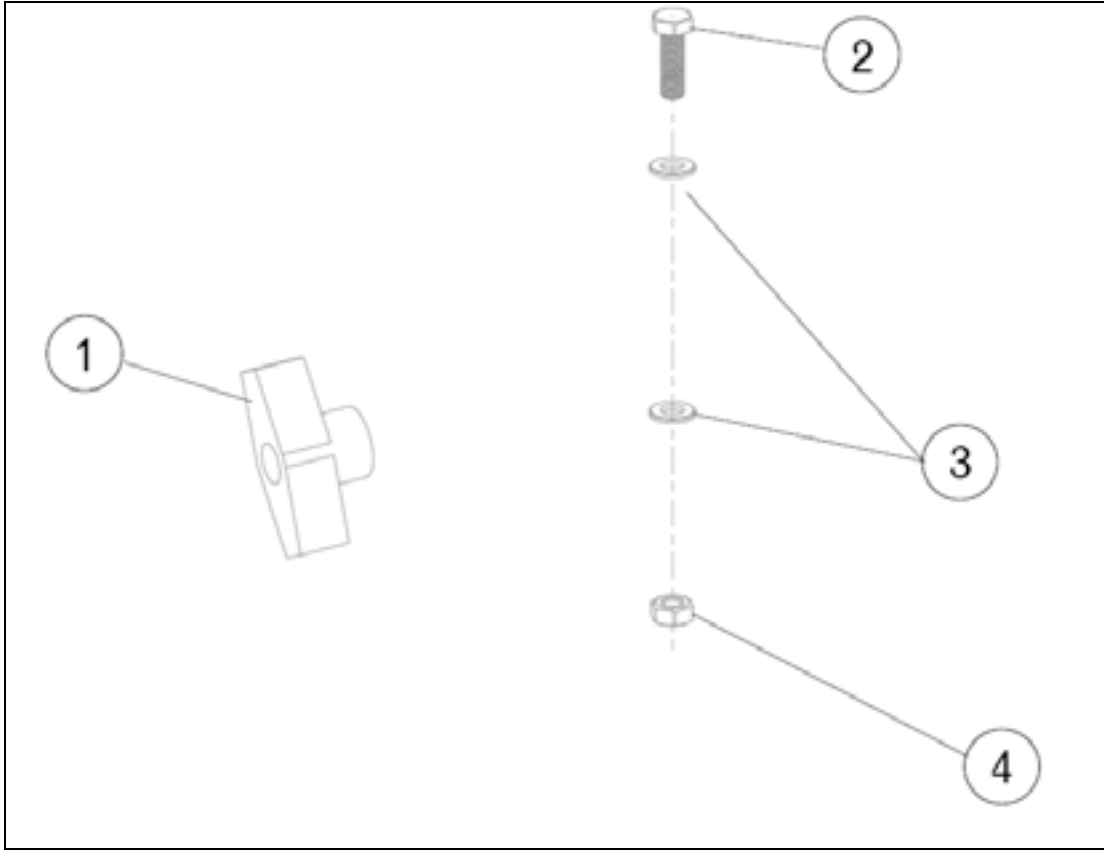
## Kit, Handle Bar Hardware Assembly



REF. NO.	DESCRIPTION	PART NO.	QTY
	Kit, Handle Bar Hardware Assembly	A200934	1
1	Handle Bar Knob	A200486*	4
2	Handle Bar Screw	A200487*	4
3	Hex Flange Bolt, M10x2	A200539*	4
4	Hex Flange Nut, M10	A200540*	2

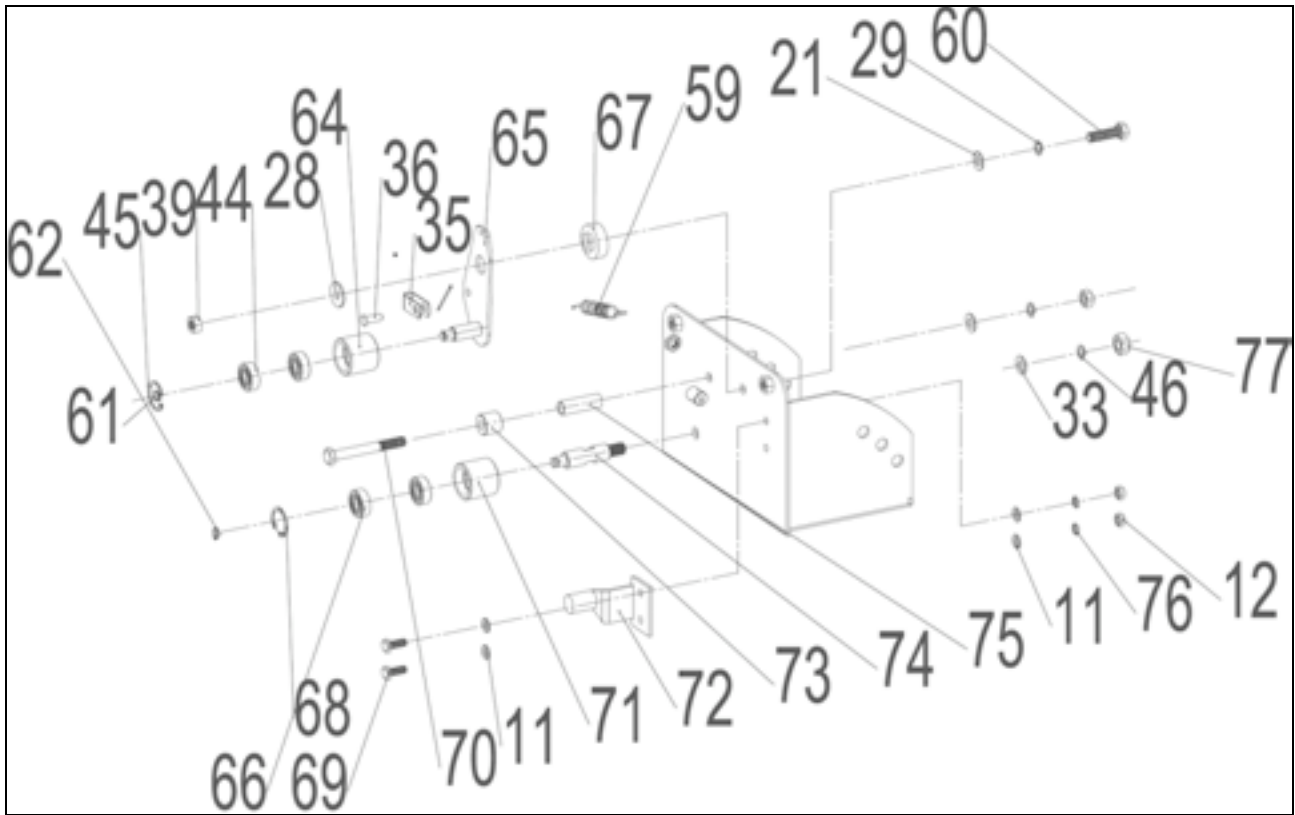
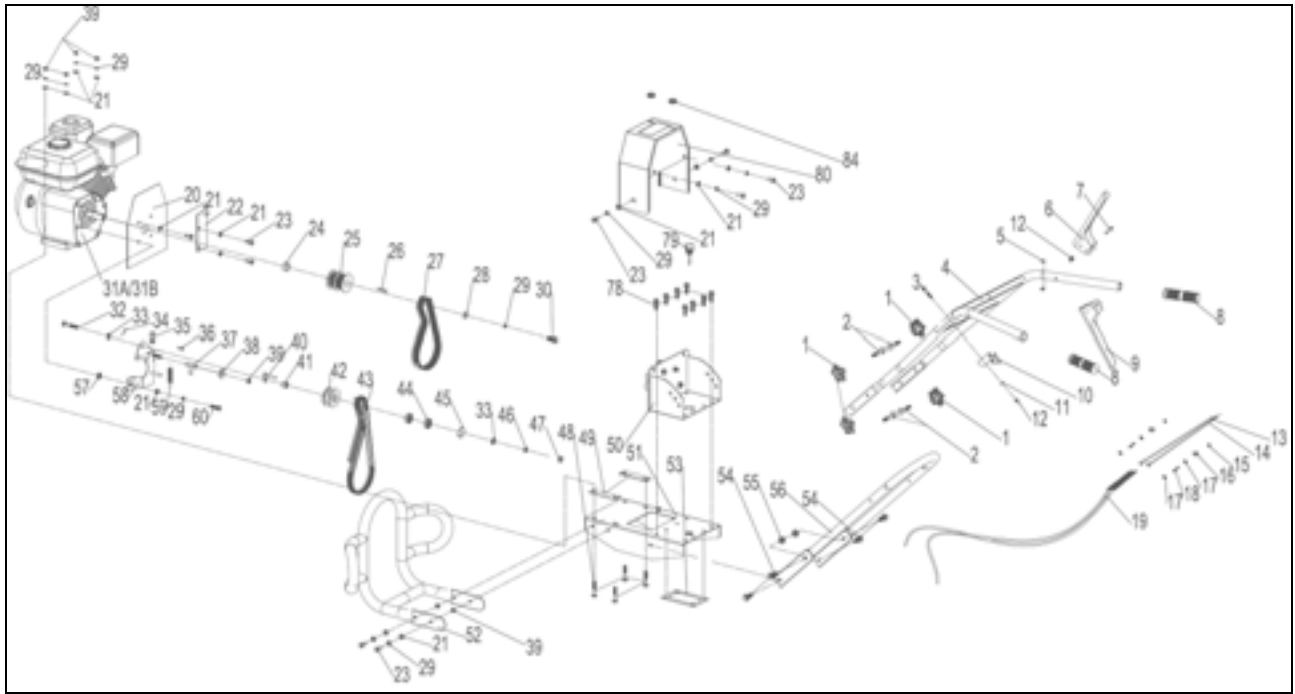
\* Part is available through higher level assembly (Kit); not stocked individually.

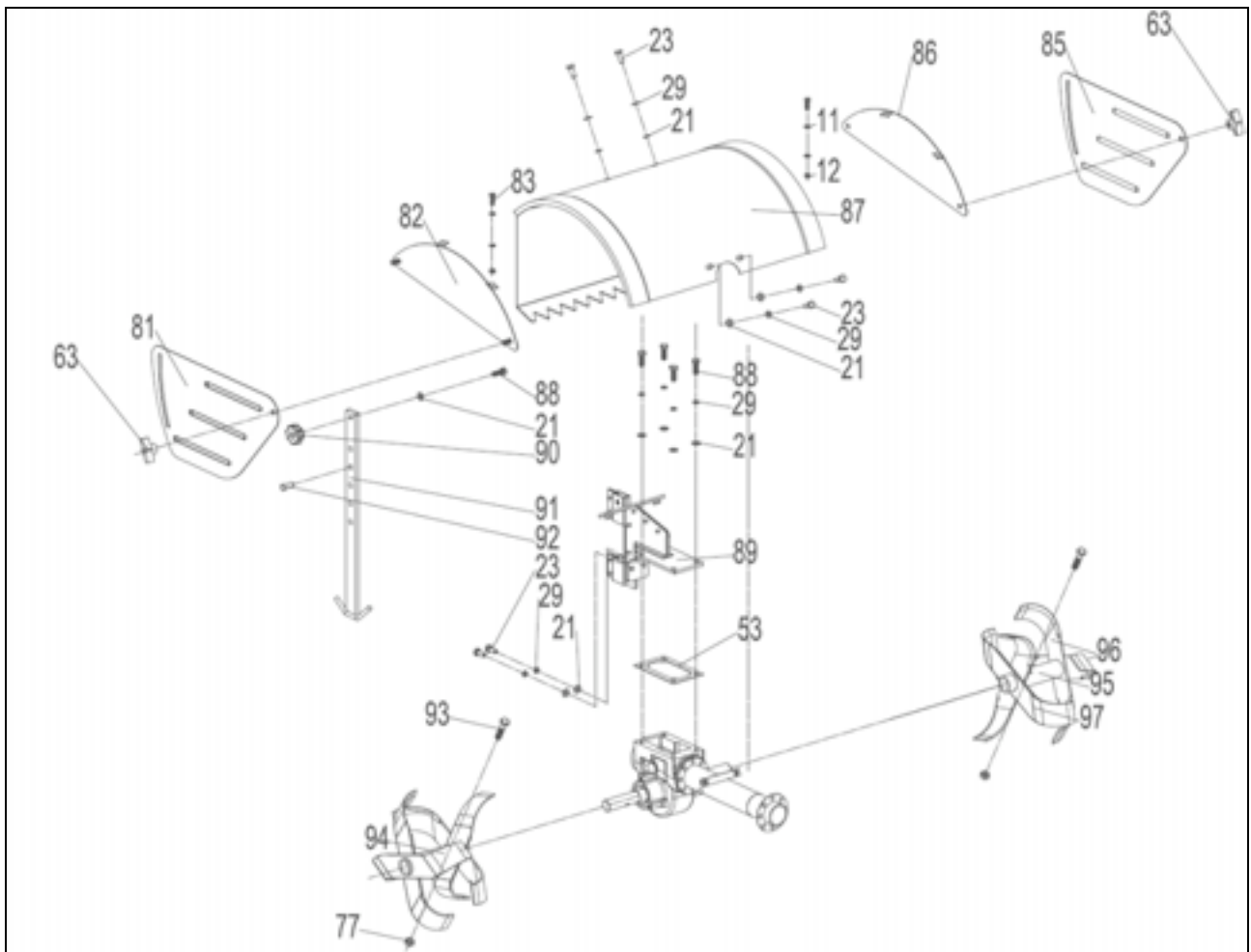
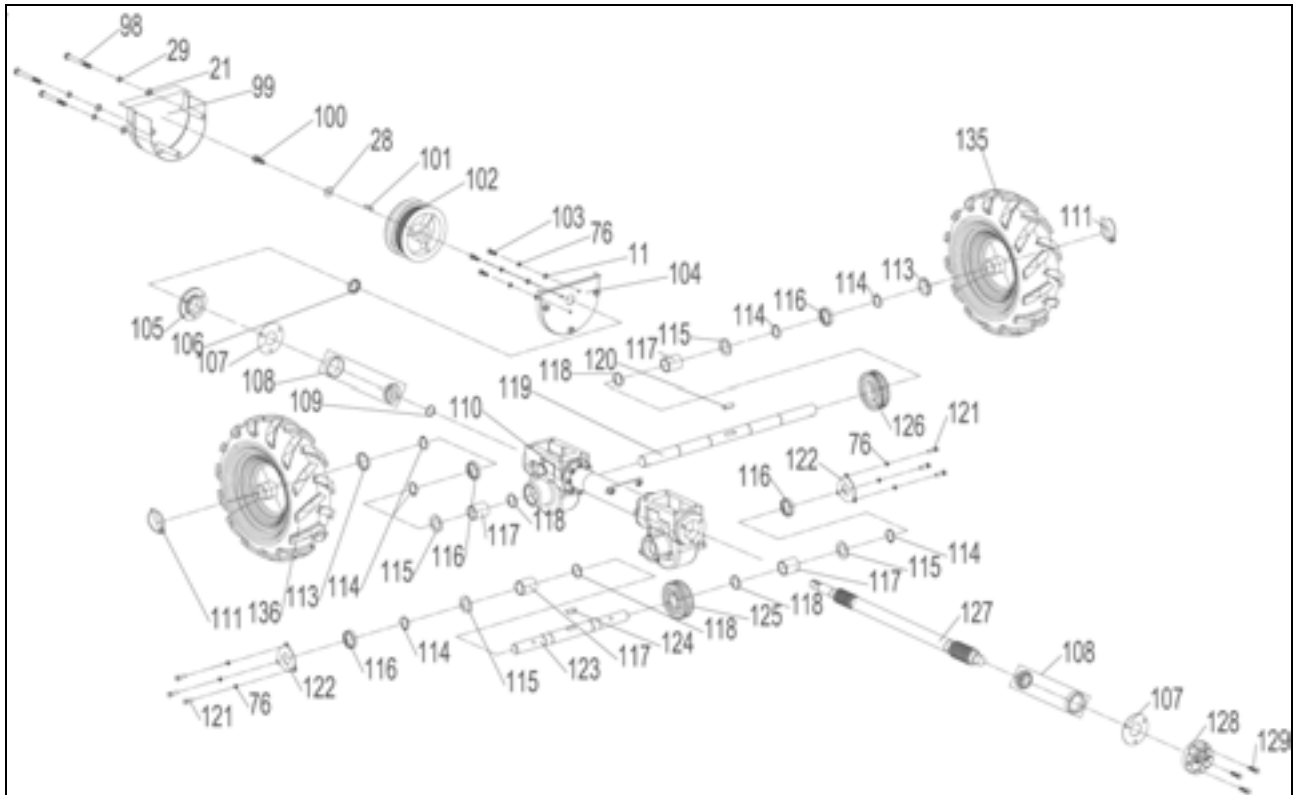
## Kit, Mounting Hardware Assembly, Tine Shield



REF. NO.	DESCRIPTION	PART NO.	QTY
	Kit, Mounting Hardware Assembly, Tine Shield	A200952	1
1	Knob, Tine Shield	A200548*	2
2	Bolt, M6X20	A200568*	4
3	Flat Washer, M6	A200496*	8
4	Locknut, M6	A200497*	4

\* Part is available through higher level assembly (Kit); not stocked individually.





REF. NO.	DESCRIPTION	PART NO.	QTY
1	Handle Bar Knob	A200486*	4
2	Handle Bar Screw	A200487*	4
3	Hex Flange Bolt, M6x45	A200488*	1
4	Upper Handle	A200489*	1
5	Rubber bushing, Clutch Lever	A200490*	2
6	Clutch Lever, Forward	A200491*	1
7	Bolt, M6X55	A200492*	1
8	Handle Grip	A200493*	2
9	Clutch Lever, Reverse	A200494*	1
10	Handle Mounting Bracket, Clutch Cable	A200495*	1
11	Flat Washer, M6	A200496*	14
12	Locknut, M6	A200497*	7
13	Clutch Rod, Reverse	A200498*	1
14	Clutch Rod, Forward	A200499*	1
15	Locknut, M5	A200500*	2
16	Bracket, Clutch Rod	A200501*	2
17	Flat Washer, M5	A200502*	4
18	Spring, Clutch Rod	A200503*	2
19	Clutch Cable	A200504*	2
20	Mounting plate, Belt Cover	A200505*	1
21	Flat washer, M8*	A200506*	29
22	Belt Mounting Plate, Reverse cable	A200507*	1
23	Bolt, M8X20	A200508*	13
24	Shaft Bushing, Forward Pulley	A200509*	1
25	Forward Drive Pulley	A200510	1
26	Flat Key, 4.78X5X35	A200511*	1
27	Forward Drive Belt 7PK597	A200512	1
28	Flat Washer, M8X22X2	A200513*	4
29	Spring washer, M8	A200514*	27
30	Hex Bolt, 5/16-24	A200515*	1
31A	EPA Gasoline Engine, Loncin 196cc Horizontal	A200516	1
31B	CARB Gasoline Engine, Loncin 196cc Horizontal	A200618	1
32	Hex Bolt, M10X50	A200517*	1
33	Flat Washer, M10	A200518*	4
34	Pin $\phi$ 1.5X20	A200519*	2
35	Cable Clip	A200520*	2
36	Pin $\phi$ 6X16	A200521*	2
37	Shaft Bushing 1	A200522*	1
38	Flat Washer $\phi$ 8X $\phi$ 28X3	A200523*	1

39	Hex Nut, M8	A200524*	9
40	Top Belt Guide, Reverse Belt	A200525*	1
41	Bushing, Reverse Tensioner	A200526*	1
42	Pulley, Reverse Tensioner	A200527	1
43	Reverse Drive Belt, 5PK740	A200528	1
44	Ball Bearing 6200	A200529	4
45	Circlip 30	A200530	1
46	Spring Washer, M10	A200531*	4
47	Hex Nut, M10	A200532*	1
48	Hex Bolt, M8X45	A200533*	4
49	Spacer, Engine Mounting	A200534*	1
50	Handle Mounting Frame	A200535*	1
51	Engine Mounting Frame	A200536*	1
52	Bull Bar Handle	A200537*	1
53	Gasket, Transmission	A200538*	2
54	Hex Flange Bolt, M10x25	A200539*	4
55	Hex Flange Nut, M10	A200540*	2
56	Lower Handle	A200541*	1
57	Shaft Bushing, Reverse	A200542*	1
58	Mounting Bracket, Reverse Tensioner	A200543*	1
59	Spring, Reverse	A200544	2
60	Hex Bolt, M8X30	A200545*	2
61	Circlip 10	A200546*	1
62	Circlip 8	A200547*	1
63	Knob, Tine Shield	A200548*	4
64	Pulley, Forward Tensioner	A200549*	1
65	Clutch Arm	A200550*	1
66	Ball Bearing 628	A200551*	2
67	Shaft Bushing, Tensioner	A200552*	1
68	Circlip 24	A200553*	1
69	Hex Bolt, M6X16	A200554*	2
70	Hex Bolt, M8X70	A200555*	1
71	Tensioner, Forward	A200556	1
72	Belt Guide, Reverse Belt	A200557*	1
73	Bushing 2	A200558*	1
74	Shaft, Forward Tensioner	A200559*	1
75	Bushing 3	A200560*	1
76	Spring Washer, M6	A200561*	5
77	Locknut, M10	A200562*	3
78	Hex Flange Bolt, M8x25	A200563*	8
79	Transmission Oil Dipstick	A200564*	1
80	Belt Cover	A200565*	1
81	Rotational Tine Shield, Right	A200566*	1

82	Stationary Tine Shield, Right	A200567*	1
83	Bolt, M6X20	A200568*	4
84	Rubber Bushing, Belt Cover	A200569*	2
85	Rotational Tine Shield, Left	A200570*	1
86	Rotational Tine Shield, Right	A200571*	1
87	Main Tine Shield	A200572*	1
88	Hex Bolt, M8X25	A200573*	5
89	Mounting Frame, Drag Bar	A200574*	1
90	Handle Knob, Drag Bar	A200575*	1
91	Drag Bar	A200576*	1
92	Pin, Drag Bar	A200577*	1
93	Bolt, M10X45	A200578*	2
94	Tines, Left	A200579*	1
95	Tines, Right	A200580*	1
96	Tines Blade, Right	A200581*	4
97	Tines Blade, Left	A200582*	4
98	Hex Bolt, M8X90	A200583*	3
99	Belt Cover, Lower Front	A200584*	1
100	Hex Flange Bolt, M8x20	A200585*	2
101	Flat Key 5X5X25	A200586*	1
102	Transmission Pulley	A200587*	1
103	Socket Hex bolt, M8X90	A200588*	3
104	Belt Cover, Lower Rear	A200589*	1
105	Transmission Cover, Front	A200590*	1
106	Transmission Oil Seal $\phi 20X\phi 32X6$	A200591*	1
107	Gasket 1, Transmission	A200592*	2
108	Cone Needle bearing 7204E	A200593*	2
109	Washer, Transmission	A200594*	1
110	Gear Box Housing	A200595*	1
111	Lock Pin, Wheel	A200596*	2
113	Shaft Spacer, Wheel	A200598*	2
114	Circlip 25	A200599*	6
115	Washer, Tine Shaft	A200600*	4
116	Transmission Oil Seal $\phi 25X\phi 40X7$	A200601*	4
117	Bearing, Wheel Shaft	A200602*	4
118	Adjustable Spacer, Wheel Shaft	A200603*	4
119	Wheel Shaft	A200604*	1
120	Flat Key	A200605*	1
121	Hex Bolt, M6X20	A200606*	6
122	Seal Cap, Transmission	A200607*	2
123	Tine Shaft	A200608*	1
124	Key, Tine Shaft	A200609*	1
125	Worm Gear, Tine Shaft	A200610*	1
126	Worm Gear, Wheel Shaft	A200611*	1

127	Worm Wheel Shaft	A200612*	1
128	Rear Cover, Transmission	A200613*	1
129	Hex Bolt, M6X25	A200614*	3
135	Wheel, 13 inch, Right	A200809*	1
136	Wheel, 13 inch, Left	A200597*	1

\* Part is available through higher level assembly (Kit); not stocked individually.